

5'W x 10'L KENNEL ROOF KIT INSTRUCTION MANUAL


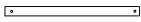


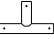


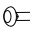




MSP-196

TIPS BEFORE YOU START!

1. Ensure that all parts are present prior to assembly.
2. Check all packing material carefully before discarding, as some parts may be encased in the packing material.
3. For ease and speed of assembly, it is recommended that prior to each step all required parts are identified.
4. Ensure that you have sufficient space and people to assemble product safely.
5. During assembly take care not to over-tighten any fittings, as this may damage the product.
6. Please keep this instruction manual for future reference.



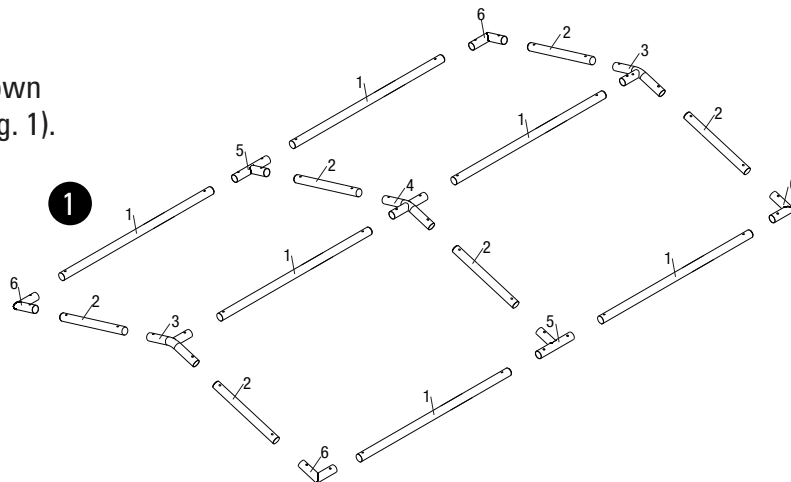
PARTS LIST

Part #	Description	Drawing	Quantity
1	Cross rail		6
2	Rafter rail		6
3	3-way peak connector		2
4	4-way peak connector		1
5	3-way side connector		2
6	Corner connector		4
7	Clamp		16
8	M10X50 bolt		8
9	M10 nut		8
10	Steel cable		2
11	Clamp		4
12	Cover		1

ASSEMBLY INSTRUCTIONS

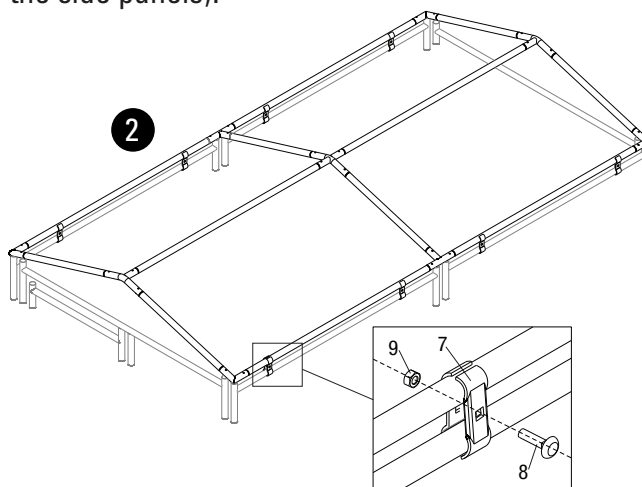
Step 1: Assemble the roof kit

Lay out the roof kit parts as shown below and connect together (fig. 1).



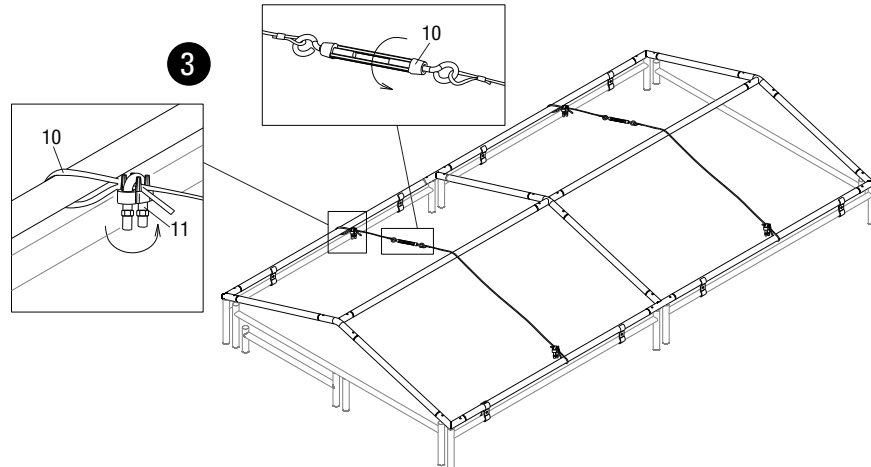
Put the assembled roof kit on the top of the kennel and fix with the clamps #7 and fittings #8 and #9 (fig. 2).

Note: The orientation of the kennel panels must be positioned as in fig. 2. (door panel and rear panel are positioned to the inside of the side panels).



Step 2: Assemble the steel cable

Fix both ends of the steel cable #10 around the cross rail and fasten with clamps #11 as shown below (fig. 3). Then fully tighten the cable by screwing the turn buckle on the cable.

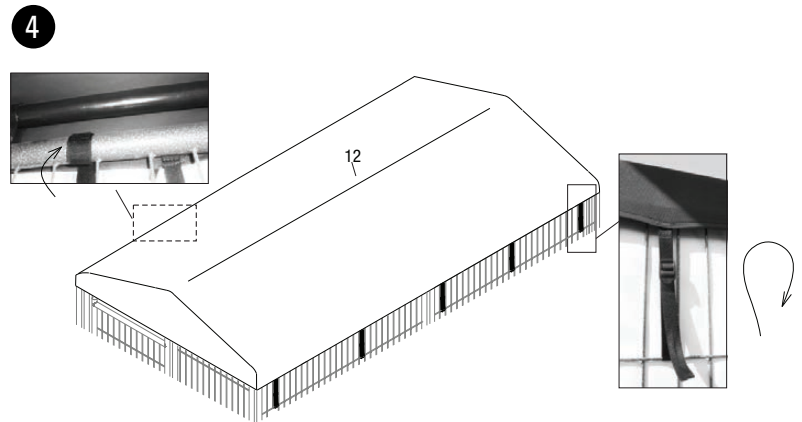


Step 3: Assemble the cover

Put the cover on the roof kit. Adhere all fast attach straps inside the cover. Symmetrically tighten the web on both sides of the kennel as shown below (fig. 4).

Note: It may be necessary to retighten the nylon web straps to keep roof cover tight and uniform. If the cover is not fully tightened, it may collect water when it rains.

Note: This roof cover is not meant to hold heavy snow or ice loads. Snow or ice accumulation may cause your roof cover to collapse. To avoid overload, brush snow and ice from the roof with a broom or mop.



Customer Service: For questions or comments, please call 888-376-7375 or visit www.mainstreetpet.com.

Main St. Pet™ is a trademark of Mid-States Distributing, LLC. © Mid-States Distributing LLC. Manufactured for and distributed by Mid-States Distributing, LLC Fort Worth, TX 76137 USA. Made in Vietnam.