



6'H x 4'W x 8'D WELDED WIRE KENNEL WITH ROOF INSTRUCTION MANUAL

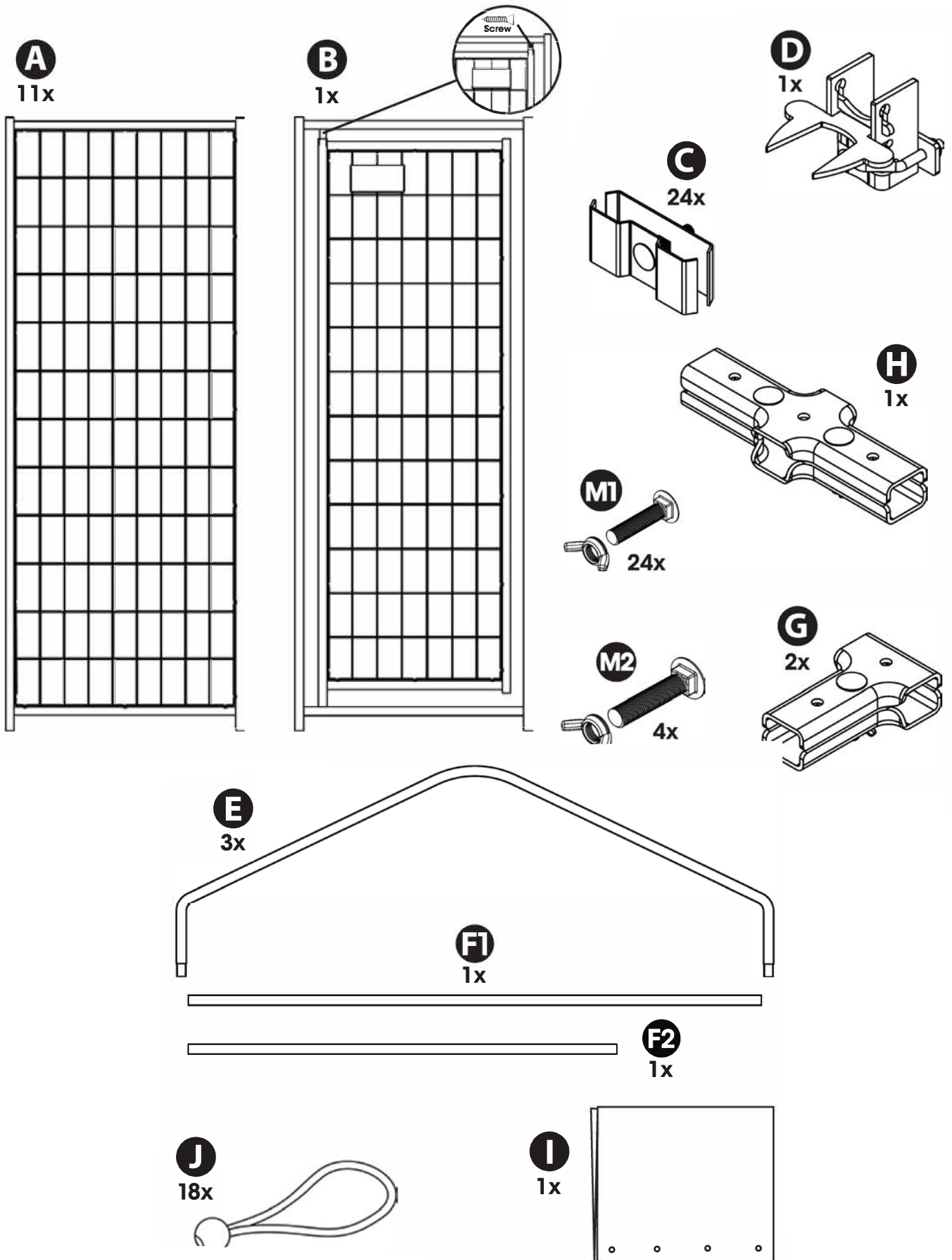
MSP-193

TIPS BEFORE YOU START!

1. Ensure that all parts are present prior to assembly.
2. Check all packing material carefully before discarding, as some parts may be encased in the packing material.
3. For ease and speed of assembly, it is recommended that prior to each step all required parts are identified.
4. Ensure that you have sufficient space and people to assemble product safely.
5. During assembly take care not to over-tighten any fittings, as this may damage the product.
6. Please keep this instruction manual for future reference.



PARTS LIST





Tools required
(not included)



2 person
assembly



Assembly time:
1 hour

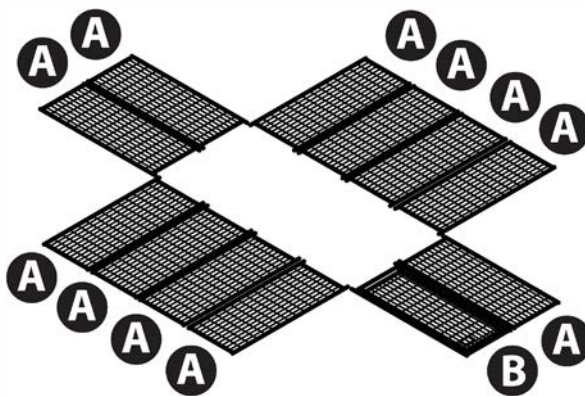
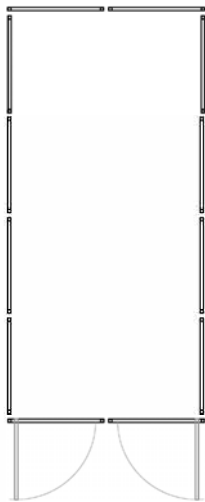


Wear goggles
and gloves

ASSEMBLY INSTRUCTIONS

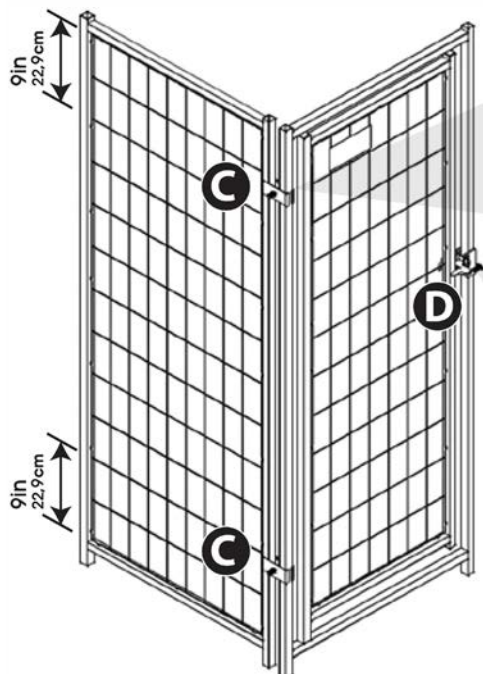
Step 1:

Choose site for kennel location.
Layout panels and determine gate placement.

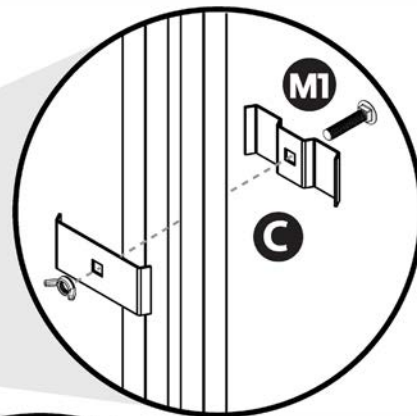


Step 2:

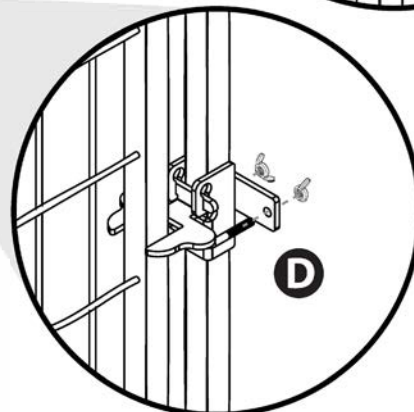
Stand 2 panels, attach 2 clamps and tighten to create a corner.
Repeat for all panels.



2.1

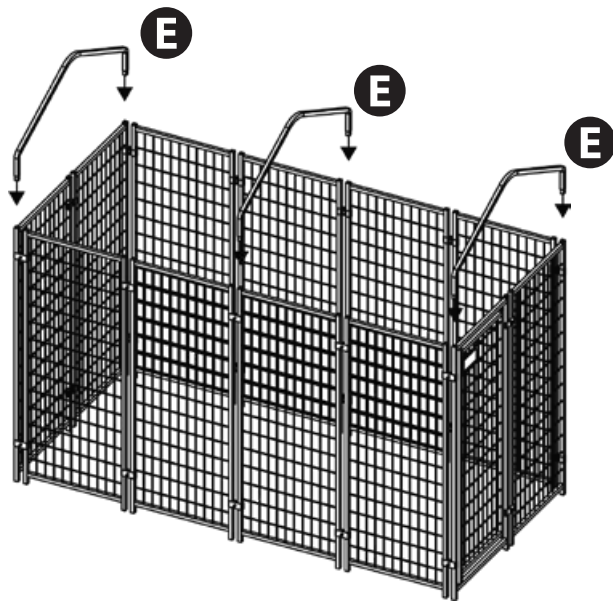


2.2

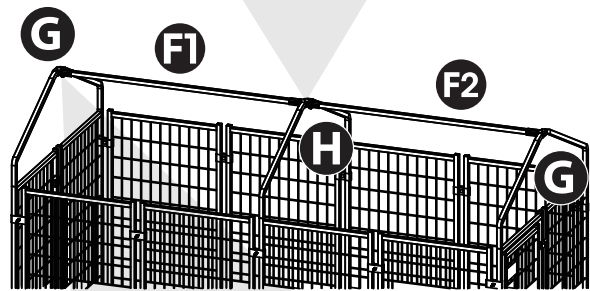
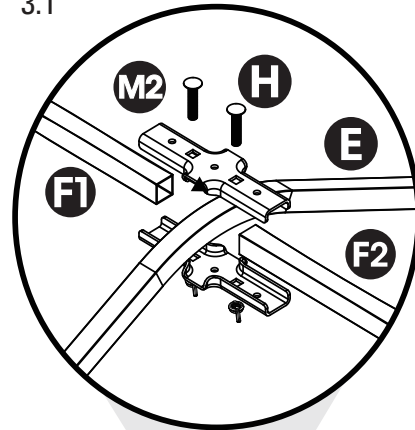


Step 3:

Install roof frame.

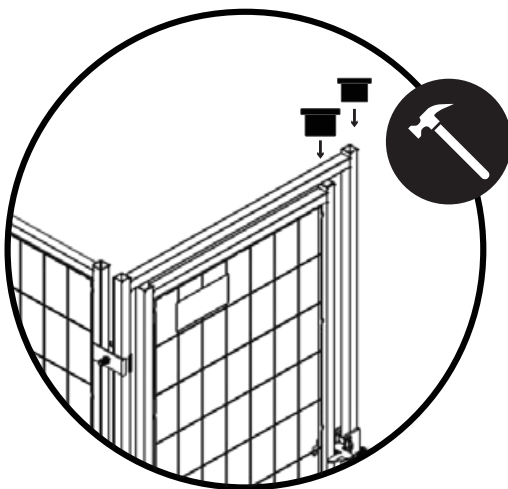


3.1

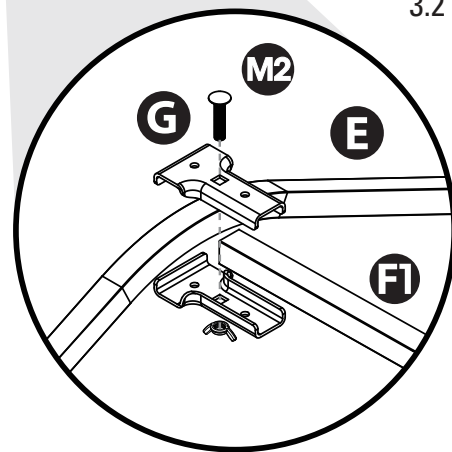


Step 4:

Install plastic caps to the frame top.



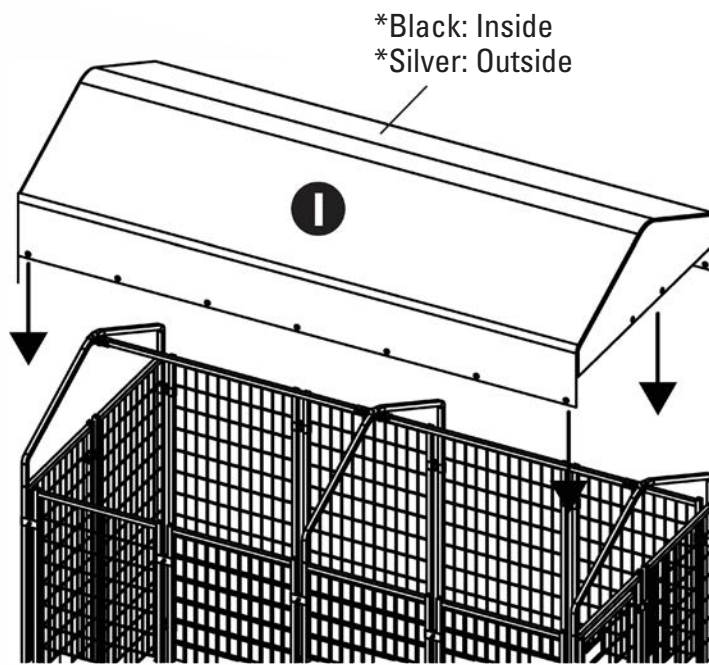
3.2



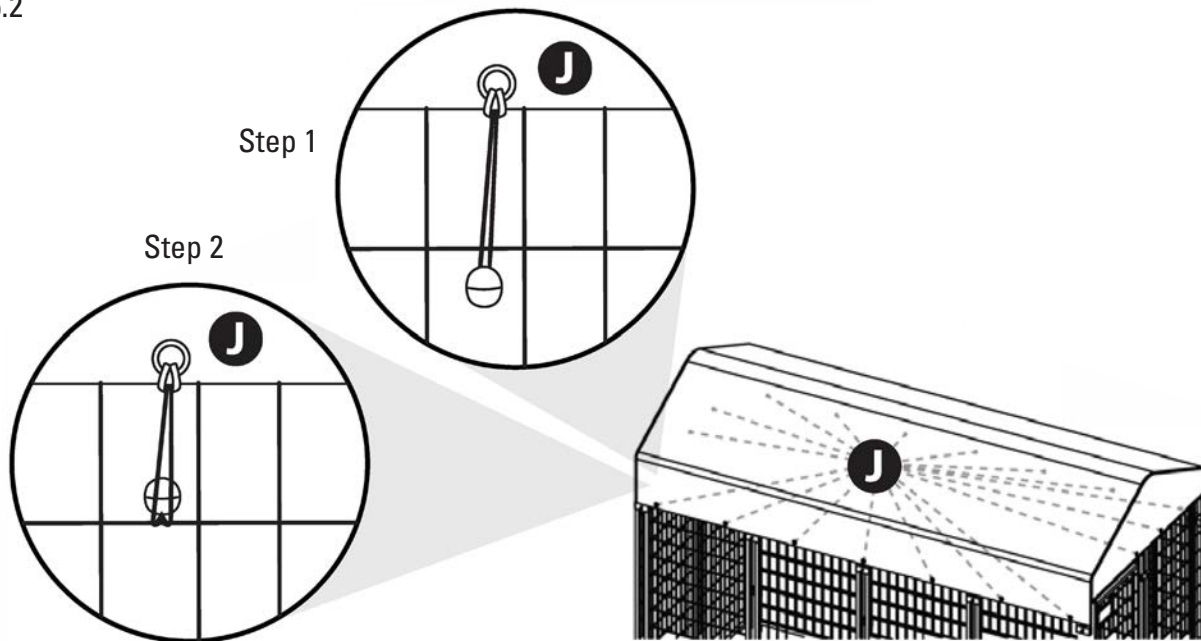
Step 5:

Install roof cover.

5.1



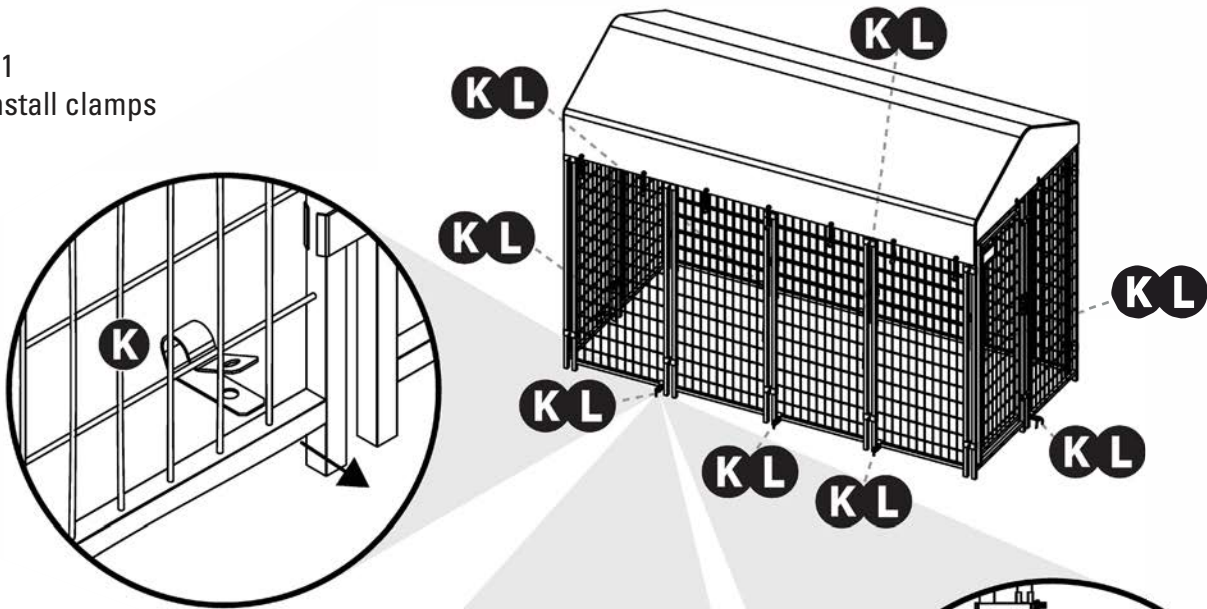
5.2



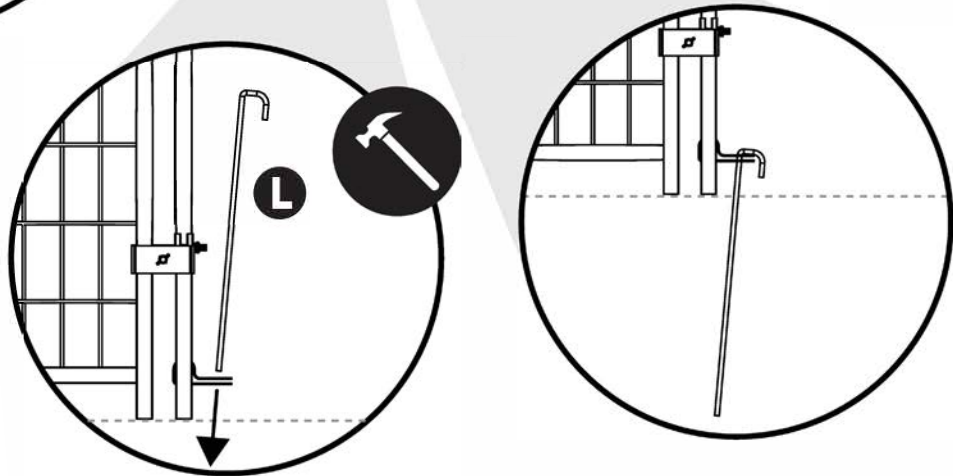
Step 6:

Secure kennel in place.

6.1
Install clamps



6.2
Install stands



Note: If kennel is on a hard surface such as a deck or patio, use lag or concrete screws with clamp.



Customer Service: For questions or comments,
please call 888-376-7375 or visit www.mainstreetpet.com.

Main St. Pet™ is a trademark of Mid-States Distributing, LLC. © Mid-States Distributing LLC.
Manufactured for and distributed by Mid-States Distributing, LLC Fort Worth, TX 76137 USA. Made in Vietnam.